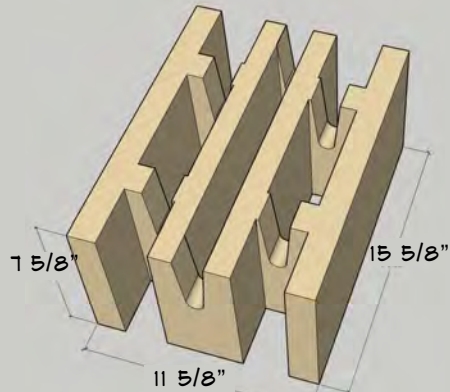
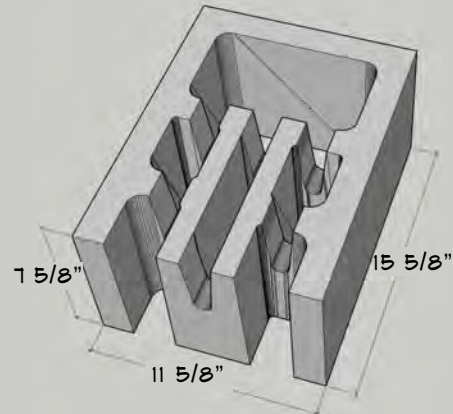


## PRODUCT CATALOG

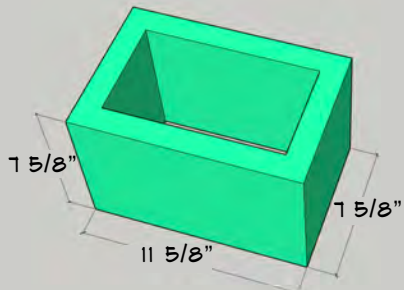
### 12" UNITS



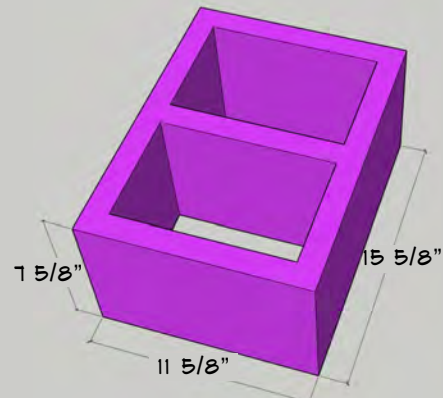
STRETCHER



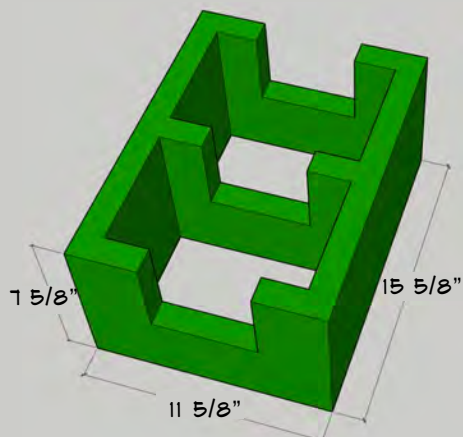
JAMB



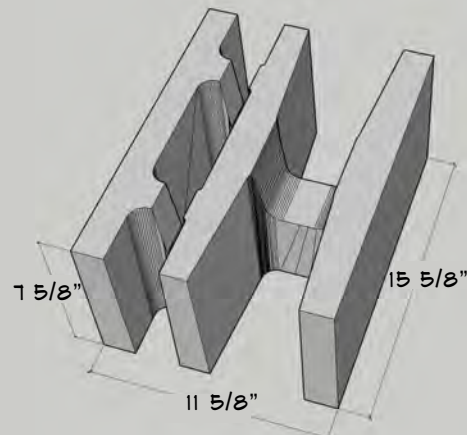
STANDARD CMU HALF



STANDARD CMU



STANDARD CMU BOND BEAM

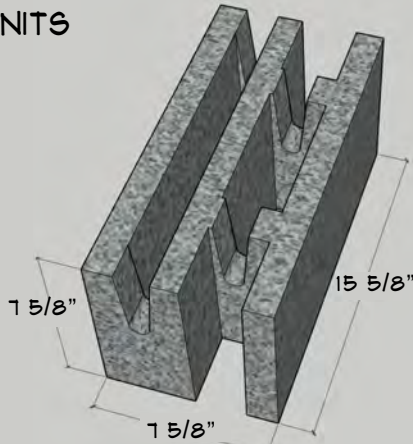


# OmniBlock

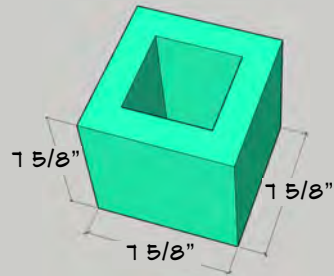
of the Great Lakes

## PRODUCT CATALOG

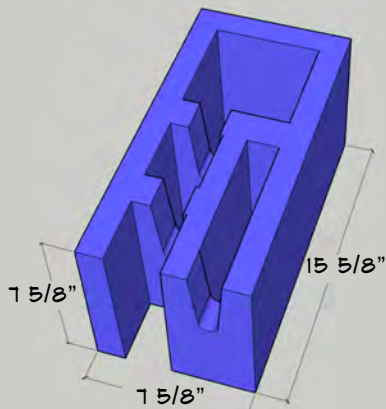
8" UNITS



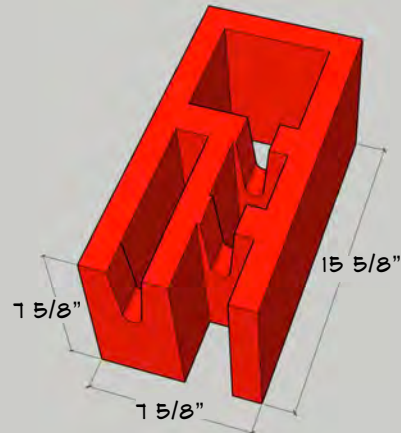
STRETCHER



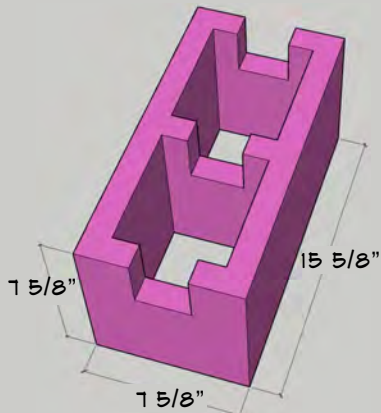
STANDARD CMU HALF



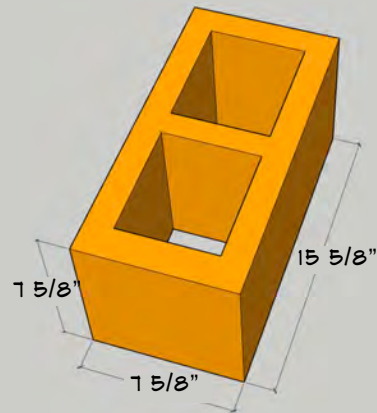
LEFT CORNER / JAMB



RIGHT CORNER / JAMB



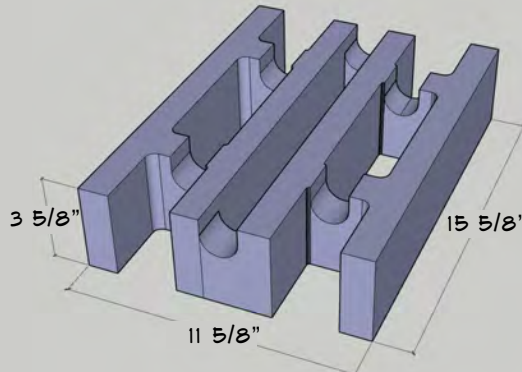
STANDARD CMU BOND BEAM



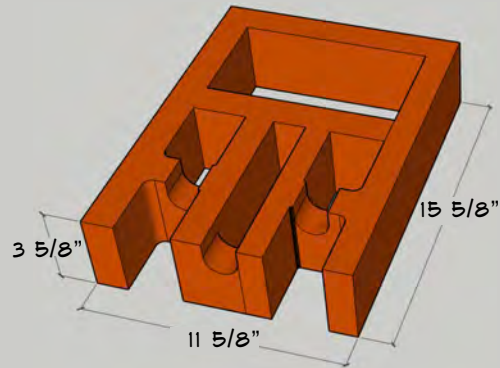
STANDARD CMU

## PRODUCT CATALOG

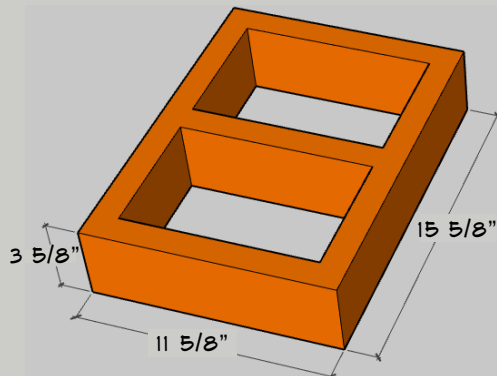
### 12" HALF HIGH UNITS



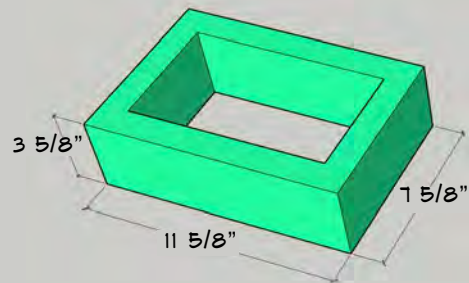
**STRETCHER**



**JAMB**



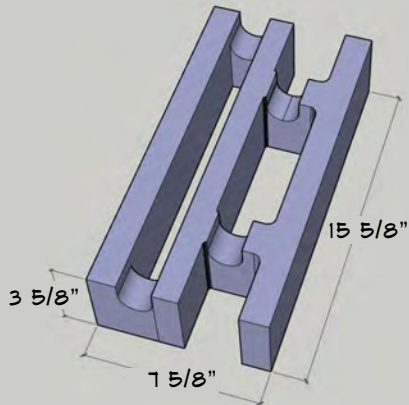
**STANDARD CMU**



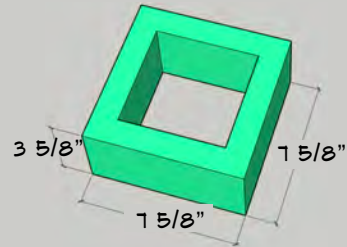
**STANDARD CMU**

## PRODUCT CATALOG

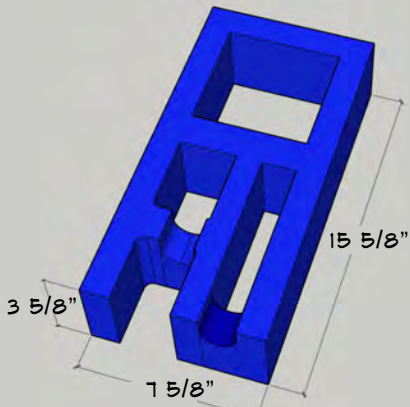
### 8" HALF HIGH UNITS



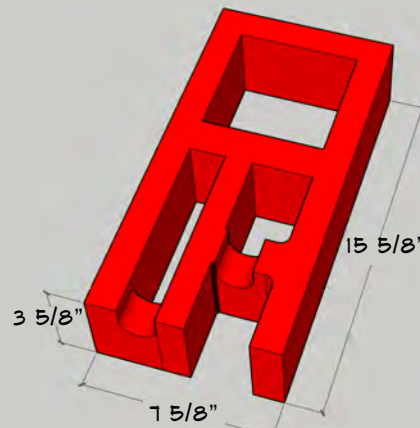
STRETCHER



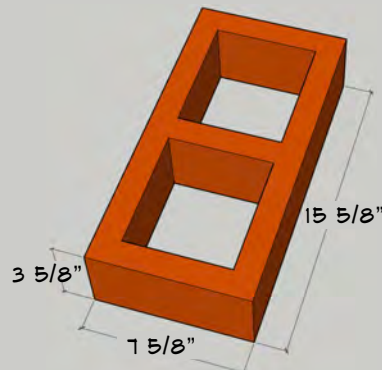
STANDARD CMU HALF



LEFT CORNER / JAMB



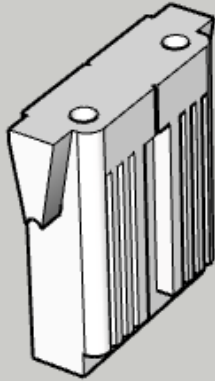
RIGHT CORNER / JAMB



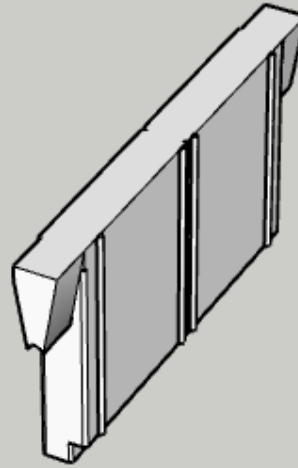
STANDARD CMU

## PRODUCT CATALOG

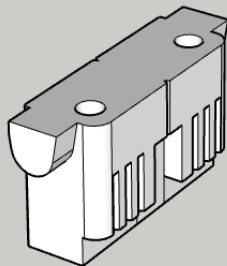
### EPS INSERT UNITS



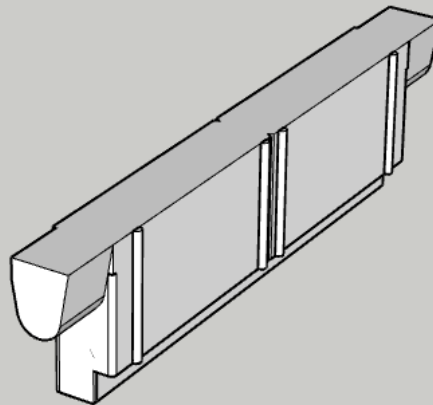
8" HEIGHT SHORT



8" HEIGHT LONG



4" HEIGHT SHORT



4" HEIGHT LONG